

NDDY

NA05-V2XXX

PRODUCT SPECIFICATION

5W, SMALL SIZE SINGLE (DUAL) OUTPUT AC/DC CONVERTER

● FEATURES

- Wide input: 85-264VAC or 100-370VDC
- Isolated-regulated single(dual) output
- Output over load protection
- Compact size:48.5mm×36.0mm×20.5mm
- Industrial-grade design
- ROHS compliant
- 3 years warranty



● DESCRIPTION

This is a 5W compact and efficient series of AC-DC power supplies suited for industrial, electric power, instrumentation, smart home applications, and etc.

● PRODUCT LIST

Product Name	Output Number	Output Voltage and Current		EFF (TYP.)
		Vo1/Io1	Vo2/Io2	
NA05-V2S05	Single-Output	5V/1000mA	-	71%
NA05-V2S12		12V/420mA	-	75%
NA05-V2S15		15V/330mA	-	77%
NA05-V2S24		24V/210mA	-	80%
NA05-V2D05	Dual-Output (Non-isolated)	+5V/500mA	-5V/500mA	73%
NA05-V2D12		+12V/210mA	-12V/210mA	76%
NA05-V2D15		+15V/160mA	-15V/160mA	78%
NA05-V2D24		+24V/100mA	-24V/100mA	80%
NA05-V2E0505	Dual Outputs (Isolated)	5V/900mA	5V/100mA	71%
NA05-V2E0512		5V/750mA	12V/100mA	73%
NA05-V2E0515		5V/700mA	15V/100mA	73%
NA05-V2E0524		5V/600mA	24V/100mA	75%

Note: Vo1 is the regulated output in products with dual-output or dual outputs.

● INPUT SPECIFICATIONS

Parameter	Conditions / Description	Min	Nom	Max	Unit
Input Voltage	AC input	85	220	264	VAC
	DC input	100	310	370	VDC
Frenquency		47	-	63	Hz
Input Current	115VAC	-	-	0.13	A
	230VAC	-	-	0.08	

● OUTPUT SPECIFICATIONS

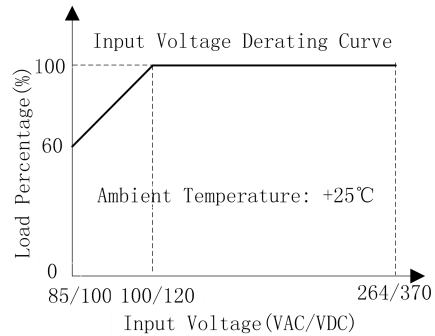
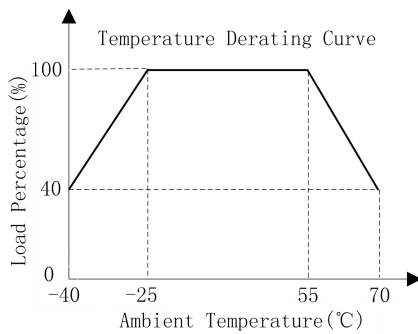
Parameter	Conditions / Description	Min	Nom	Max	Unit
Voltage accuracy	Vo1	-	±2	-	%
	Other output	-	±5	-	
Load regulation	Vo1, 10%-100%Load	-	±1	-	

	Other output, 10%-100%Load	-	± 5	-	
Line regulation	Vo1, 10%-100%Load	-	± 0.5	-	
	Other output, 10%-100%Load	-	± 2	-	
Ripple & Noise	20MHz BW	-	100	-	mV
OCP	Over current protection	$\geq 110\%I_o$, self-recovery			
SCP	Short circuit protection	Continuous, self-recovery			
Minimum Load	NA05-V2SXX	0	-	-	%
	NA05-V2DXX, NA05-V2EXX	10	-	-	
Hold-up time	115VAC	-	15	-	ms
	230VAC	-	80	-	

● GENERAL SPECIFICATIONS

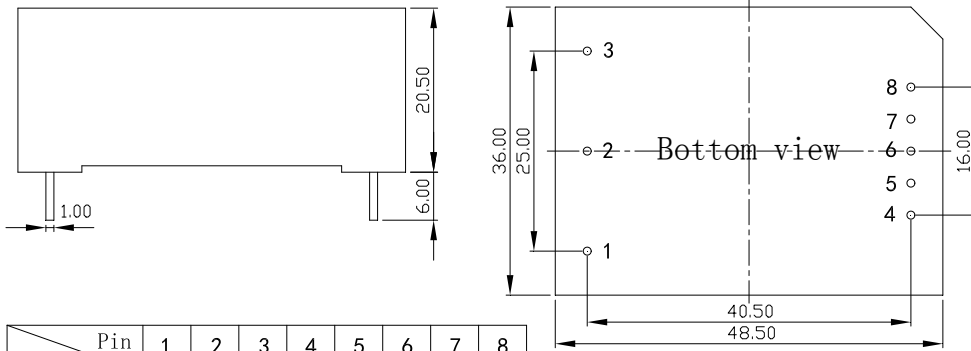
Parameter	Conditions / Description	Min	Nom	Max	Unit
Operating temperature		-40	-	+70	°C
Storage temperature		-40	-	+105	°C
Storage humidity	No condensing	-	-	95	%RH
Insulation voltage		3000	-	-	VAC
Cooling method		Natural air cooling			
MTBF	MIL-HDBK-217F@25°C	215000	-	-	hrs
Weight		-	50	-	g

● PRODUCT CHARACTERISTIC CURVE



Note: Input voltage should be derated based on temperature derating if input voltage is less than 100VAC/120VDC.

● DIMENSIONS AND PIN ASSIGNMENT



Product \ Pin	1	2	3	4	5	6	7	8
NA05-V2SXX	FG	N	L	-Vo	NO PIN	NO PIN	NO PIN	+Vo
NA05-V2DXX	FG	N	L	-Vo	NO PIN	COM	NO PIN	+Vo
NA05-V2EXX	FG	N	L	-Vo1	+Vo1	NO PIN	-Vo2	+Vo2

Unit: mm
 Pin diameter tolerance: ± 0.10
 Pin length tolerance: ± 2.00
 General tolerance: ± 0.50

● NOTES

1. Unless otherwise specified, data in this specification is tested with nominal input voltage, rated output load, and $T_a=25^\circ\text{C}$, humidity $<75\%RH$.
2. All data testing methods are based on Guangzhou NengDa company standards.
3. Specification of the product may be subject to change without prior notice.
4. All right reserved by Guangzhou NengDa Power Supply Technology Co., Ltd.